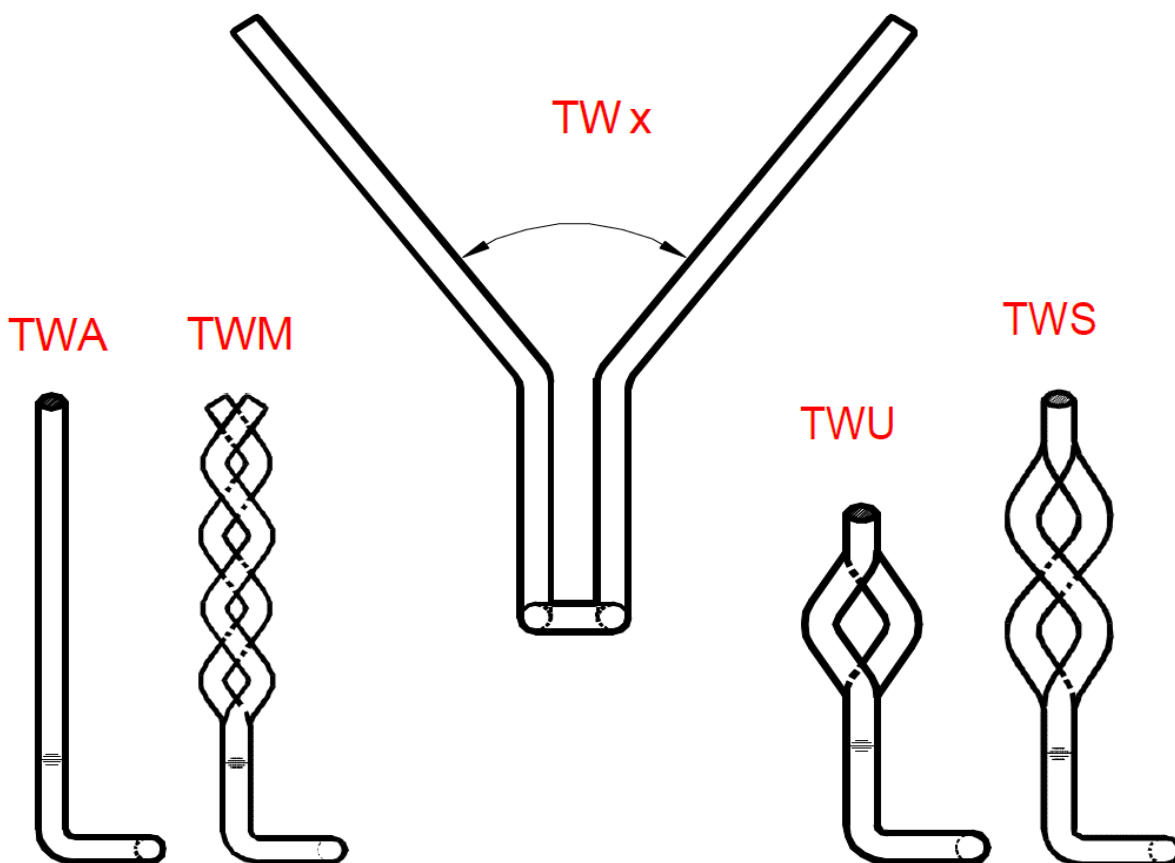


The TW series of anchors



Commenced On : 17.1.2014

Drawn by: Tvikon s.r.o.

Product description: "TW" Anchor

Tvikon

This drawing is the property of Tvikon s.r.o. Unauthorized use of patented features and / or and reproduction of this drawing is strictly prohibited.

"TW" Anchor System

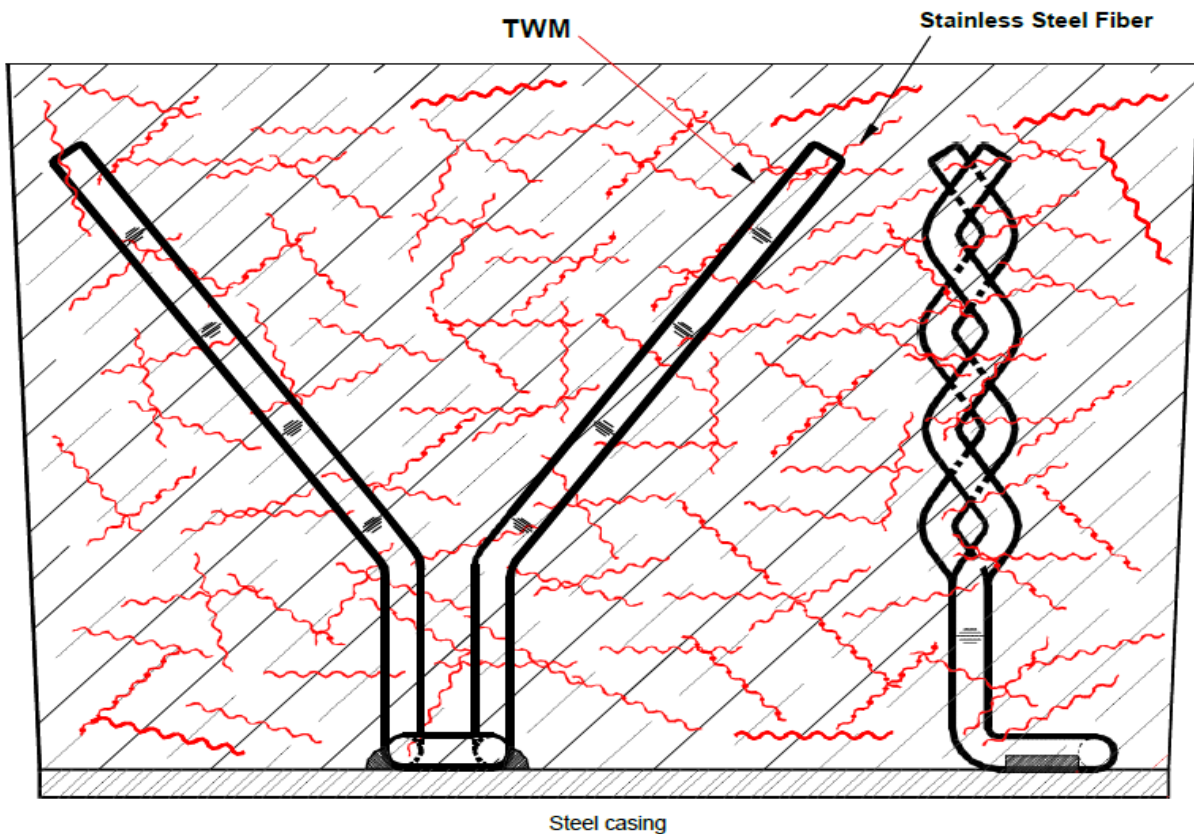
Tvikon s.r.o., U Landronky 1145/42, 169 00 Praha 6, Břevnov, tvikon@tvikon.cz, Phone: +420775908330

Dwg nr. T-14/36

The TW series of anchors

The TW Series has been developed as an anchoring system for universal deployment in order to solve the most diverse anchoring tasks. On the fastening side the anchors in the TW Series can both be welded directly onto the steel casing or to the substructure using a threaded bolt. The threaded bolt is welded onto the outer panel. A multilayer lining can be presented with block insulation using the right bolts. For this purpose longer bolts are used, either threaded bolts or plain bolts (for welding). In any event the extended bolts have a defined feature on the top point of the block insulation layer so that the mounting system does not get pressed into the block insulation and damage it. The TW anchor is available in a number of versions:

Type TWA has no corrugation on the arms and is intended for simple anchoring tasks. Pronounced corrugation characterises Types TWU and TWS; the retention force is better transported to the refractory concrete here than with TWA. Type TWM has standard corrugation that extends across the entire arm area. As a result TWM has the advantage, particularly with longer anchors, of guaranteeing excellent force transmission to the refractory concrete.



Tvikon

Tvikon s.r.o., U Landronky 1145/42, 169 00 Praha 6, Břevnov, tvikon@tvikon.cz, Phone: +420775908330

This drawing is the property of Tvikon s.r.o. Unauthorized use of patented features and / or and reproduction of this drawing is strictly prohibited.

"TW" Anchor System

Dwg nr. T-14/37

Ordering examples and standard alloys available	<h2 style="text-align: center;">TWA</h2> <p style="text-align: center;">D_{max} = 12 mm D_{min} = 5 mm</p> <p style="text-align: center;">Angle a° - 60° L_{max} = 350 mm L_{min} = 50 mm</p>
<p style="text-align: center;">Example</p> <p style="text-align: center; font-size: 24px; font-weight: bold;">TWA. 6 - 250(100) - 310</p> <div style="display: flex; justify-content: space-around; align-items: center; margin-top: 10px;"> <div style="text-align: center;">↑</div> <div style="text-align: center;">↑</div> <div style="text-align: center;">↑</div> <div style="text-align: center;">↑</div> </div> <p style="text-align: center; font-size: 12px;">Anchor type Diameter Length L Step(s) Alloy type</p>	

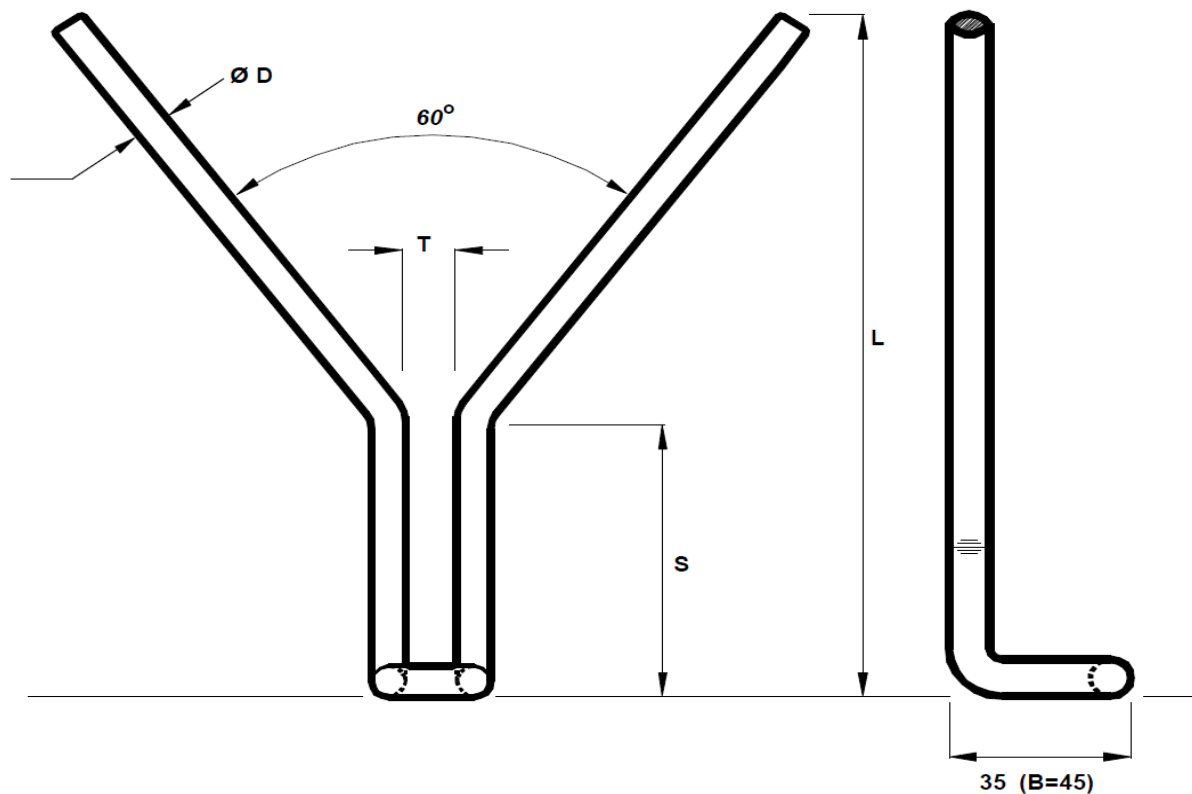
D₅ - T = 13 mm

D₆ - T = 13 mm

D₈ - T = 13 mm or T = 20 mm When T = 20 specify explicitly TWA.8 B - 125 (050) - 310

D₁₀ - T = 15 mm

D₁₂ - T = 20 mm



Tvikon

Tvikon s.r.o., U Landronky 1145/42, 169 00 Praha 6, Břevnov, tvikon@tvikon.cz, Phone: +420775908330

This drawing is the property of Tvikon s.r.o. Unauthorized use of patented features and / or and reproduction of this drawing is strictly prohibited.

"TW" Anchor System

Dwg nr. T-14/38

Ordering examples and standard alloys available				
Example				
<p>TWU. 8 - 100(20) - 310</p> <p>↑ ↑ ↑ ↑</p>				
Anchor type	Diameter	Length L	Step(s)	Alloy type

TWU

D_{max} = 12 mm

D_{min} = 5 mm

Angle a° - 60°

L_{max} = 350 mm

L_{min} = 50 mm

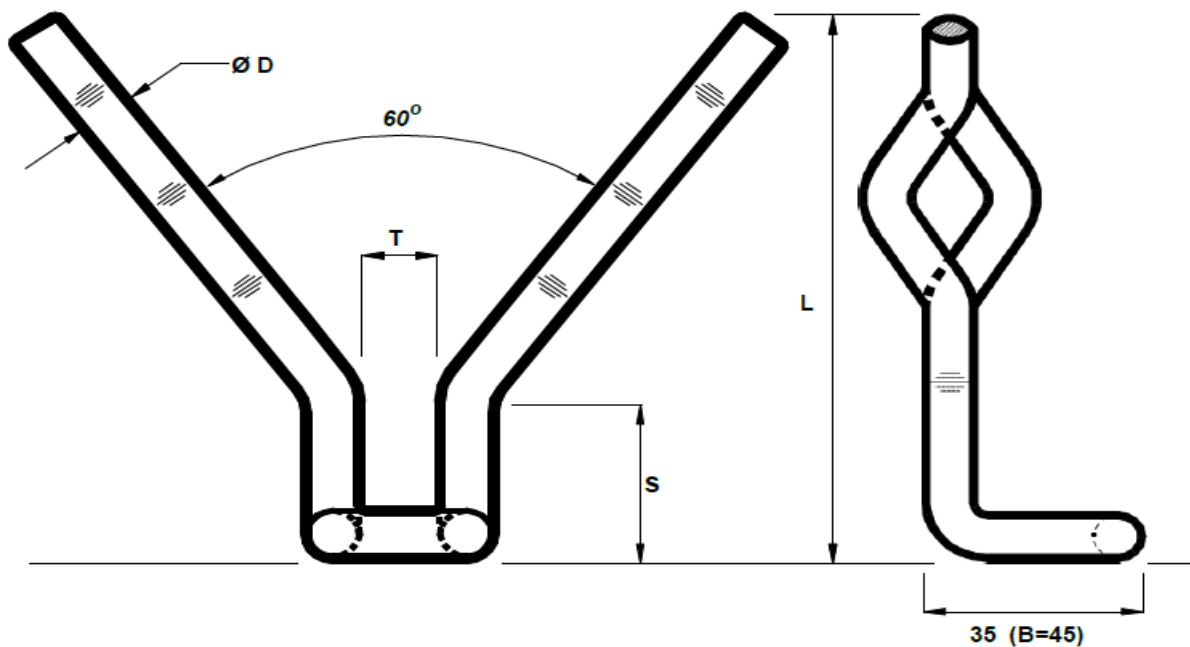
D₅ - T = 13 mm

D₆ - T = 13 mm

D₈ - T = 13 mm or T = 20 mm When T = 20 specify explicitly TWU.8 B - 125 (050) - 310

D₁₀ - T = 15 mm

D₁₂ - T = 20 mm



Tvikon

Tvikon s.r.o., U Landronky 1145/42, 169 00 Praha 6, Břevnov, tvikon@tvikon.cz, Phone: +420775908330

This drawing is the property of Tvikon s.r.o. Unauthorized use of patented features and / or and reproduction of this drawing is strictly prohibited.

"TW" Anchor System

Dwg nr. T-14/39

Ordering examples and standard alloys available		<h2 style="text-align: center;">TWM</h2> <p style="text-align: center;">D_{max} = 12 mm D_{min} = 5 mm</p> <p style="text-align: center;">Angle a° - 60° L_{max} = 350 mm L_{min} = 50 mm</p>
Example		
<p style="font-size: 24px; font-weight: bold;">TWM. 6 - 250(125) - 310</p> <div style="display: flex; justify-content: space-around; align-items: center; margin-top: 10px;"> <div style="text-align: center;">↑</div> <div style="text-align: center;">↑</div> <div style="text-align: center;">↑</div> <div style="text-align: center;">↑</div> </div> <div style="display: flex; justify-content: space-around; margin-top: 5px;"> Anchor type Diameter Length L Step(s) Alloy type </div>		
<p>D₅ - T = 13 mm D₆ - T = 13 mm D₈ - T = 13 mm or T = 20 mm When T = 20 specify explicitly TWM.8 B - 125 (050) - 310 D₁₀ - T = 15 mm D₁₂ - T = 20 mm</p>		
<h1 style="color: red; margin: 0;">Tvikon</h1>		This drawing is the property of Tvikon s.r.o. Unauthorized use of patented features and / or and reproduction of this drawing is strictly prohibited.
Tvikon s.r.o., U Landronky 1145/42, 169 00 Praha 6, Břevnov, tvikon@tvikon.cz, Phone: +420775908330		"TW" Anchor System <hr/> Dwg nr. T-14/40

Ordering examples and standard alloys available				
Example				
<p>TWS. 10 - 350(125) - 310</p> <p style="text-align: center;"> ↑ ↑ ↑ ↑ </p>				
Anchor type	Diameter	Length L	Step(s)	Alloy type

TWS

D_{max} = 12 mm

D_{min} = 5 mm

Angle a° - 60°

L_{max} = 350 mm

L_{min} = 50 mm

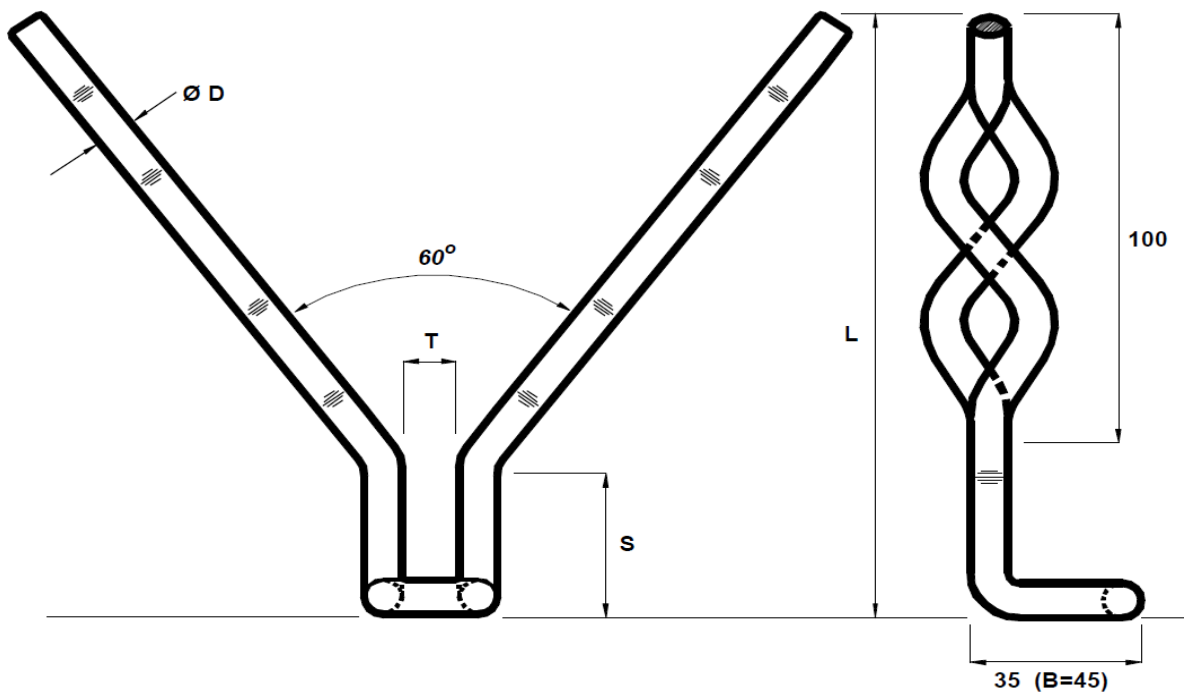
D₅ - T = 13 mm

D₆ - T = 13 mm

D₈ - T = 13 mm or T = 20 mm When T = 20 specify explicitly TWS.8 B - 125 (050) - 310

D₁₀ - T = 15 mm

D₁₂ - T = 20 mm



Tvikon

Tvikon s.r.o., U Landronky 1145/42, 169 00 Praha 6, Břevnov, tvikon@tvikon.cz, Phone: +420775908330

This drawing is the property of Tvikon s.r.o. Unauthorized use of patented features and / or and reproduction of this drawing is strictly prohibited.

"TW" Anchor System

Dwg nr. T-14/41

